

FIG. 1

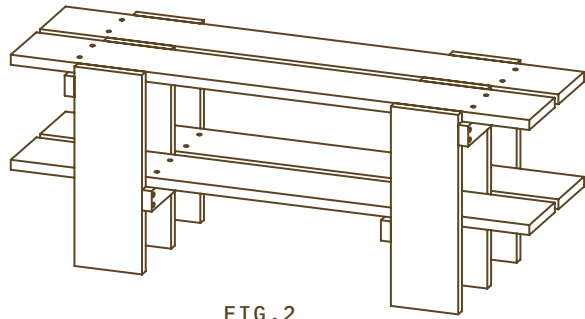
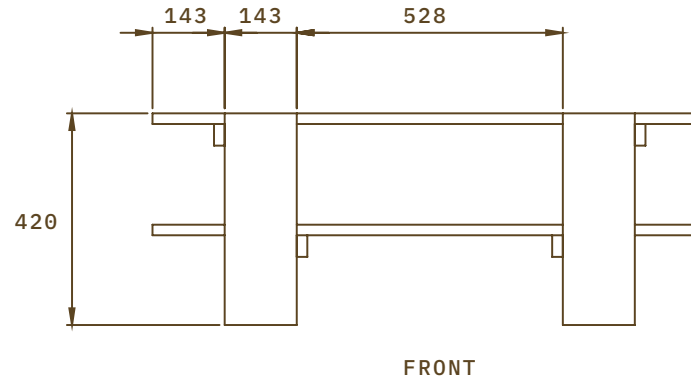
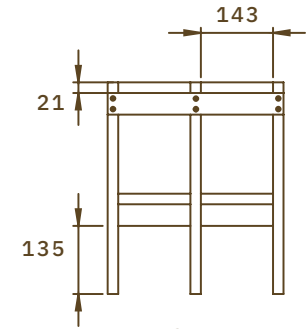


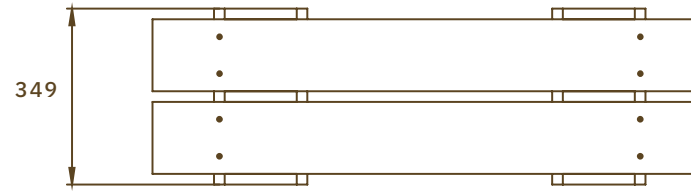
FIG. 2



FRONT



SIDE



TOP



A x4



B x6



C x4

MATERIALS_AND_TOOLS

PLANED PINE BOARDS (SEE LEFT SIDE)
WOOD SCREWS 40-50 mm (40 pcs)
SCREWDRIVER, DRILL, SAW

INSTRUCTIONS

1. READ 'TO THINK ABOUT'
2. START WITH THE LEGS [FIG.1]:
ATTACH STRETCHERS (C) TO LEGS (B). MAKE SURE THE DISTANCE BETWEEN THE LEGS IS THE SAME AS A SHELF AND SEAT BOARD'S WIDTH (143 mm).
3. ATTACH SHELF BOARDS (A) TO THE LOWER STRETCHERS [FIG.2].
4. ATTACH SEAT BOARDS (A) TO THE TOP STRETCHERS.
5. SOFTEN ALL EDGES WITH SANDPAPER.
6. TREAT THE SURFACE (OPTIONAL).

TO_THINK_ABOUT

1. PRE-DRILL PILOT HOLES TO AVOID CRACKS. SEE [FIG.1&2] FOR HOLE PLACEMENTS.
2. USE EXCESS BOARDS WITH THE SAME WIDTH AS (A) TO MEASURE THE DISTANCE BETWEEN THE LEGS (B). IF YOU DON'T HAVE ANY, YOU CAN USE SEAT OR SHELF BOARDS (A).
3. IF THE BENCH IS TO STAND OUTSIDE, THE SCREWS MUST BE MADE FOR OUTDOOR USE.
4. FEEL FREE TO SHARE YOUR PROCESS AND/OR FINISHED WORK AT #LOCALSOURCEFURNITURE.

BOARD	DIMENSIONS	LENGTH	QTY
A	143 X 21 mm	1100 mm	4
B	143 X 21 mm	420 mm	6
C	43 X 21 mm	349 mm	4

PRODUCT	ITERO SHORT BENCH
DESIGNER	JOHANNA FOSSELIUS
VERSION	FREE (v. 1.03b)